

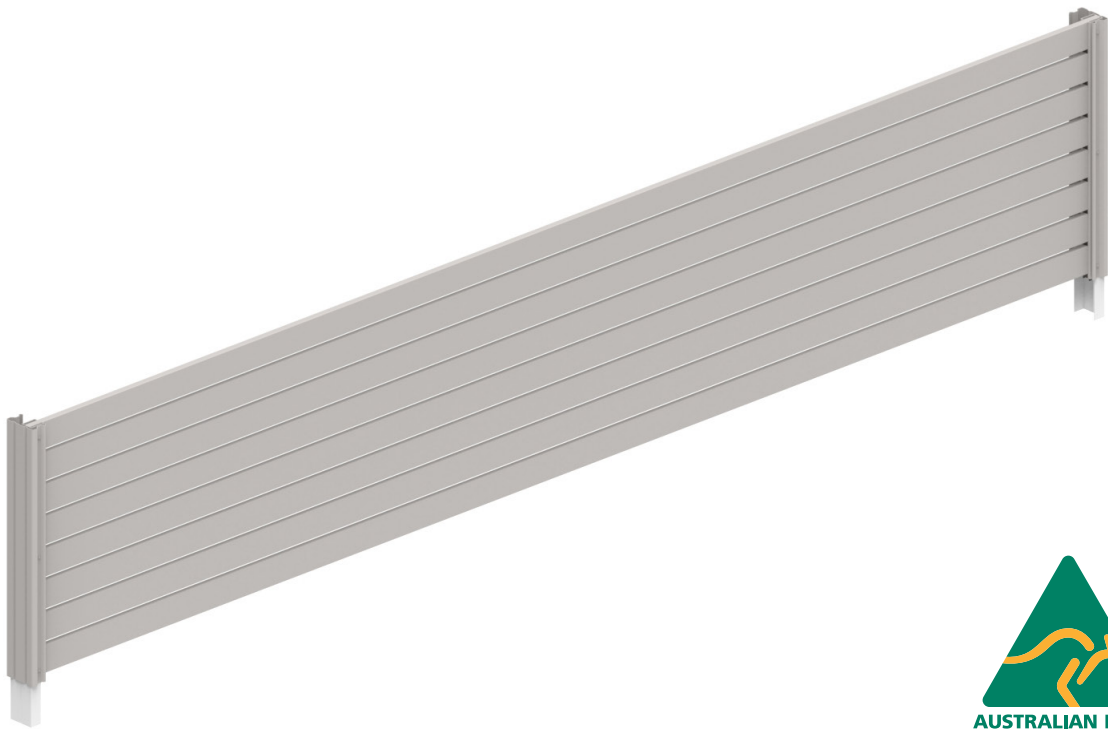


Screenline

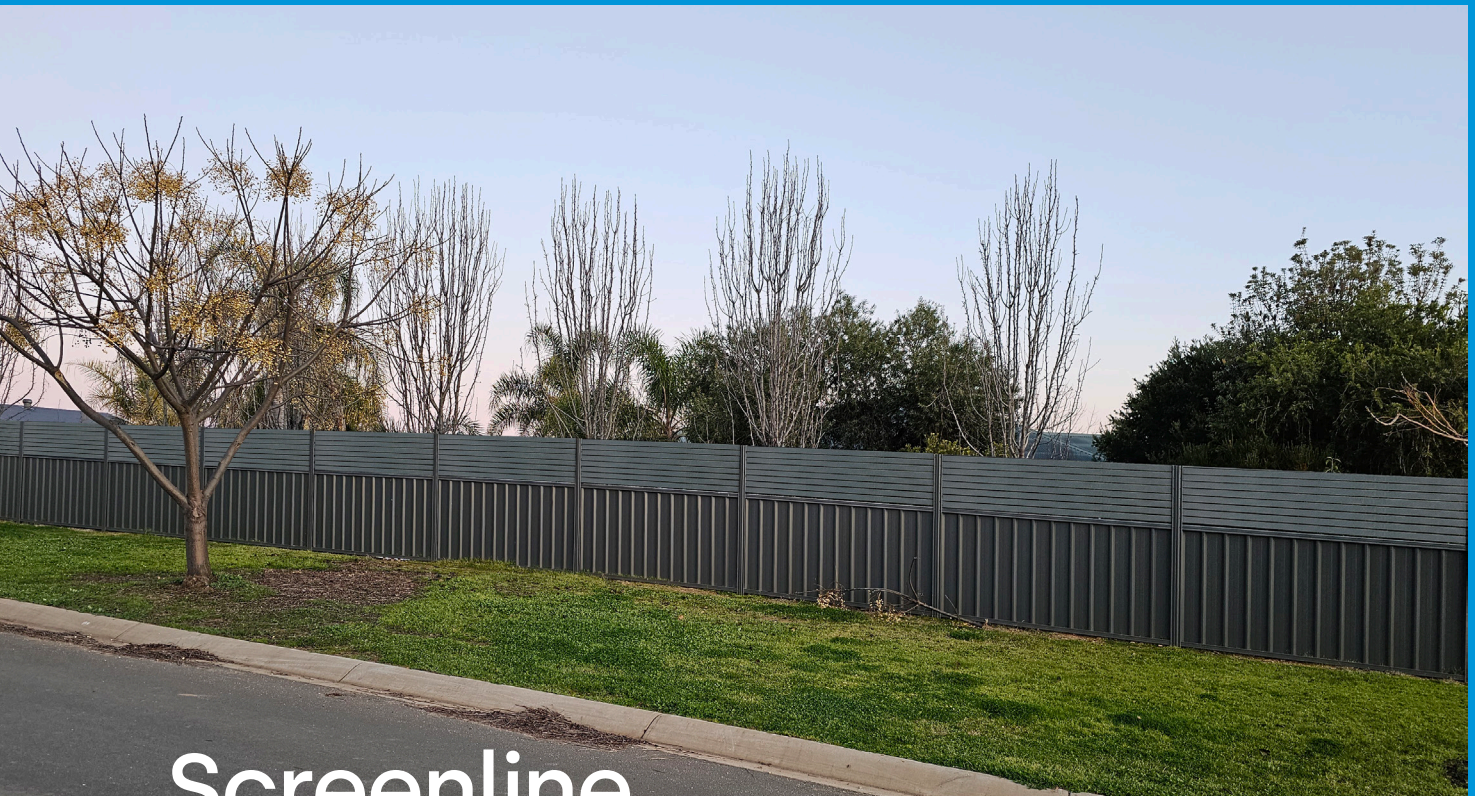
DIY Screen Solutions

Installation Guide

Slat Systems Kits



Screenline Colorbond® Fence Extensions



Screenline

DIY Screen Solutions

Screenline Fence Extensions are a DIY solution to easily increase the height of your existing Colorbond fence for added security and privacy.

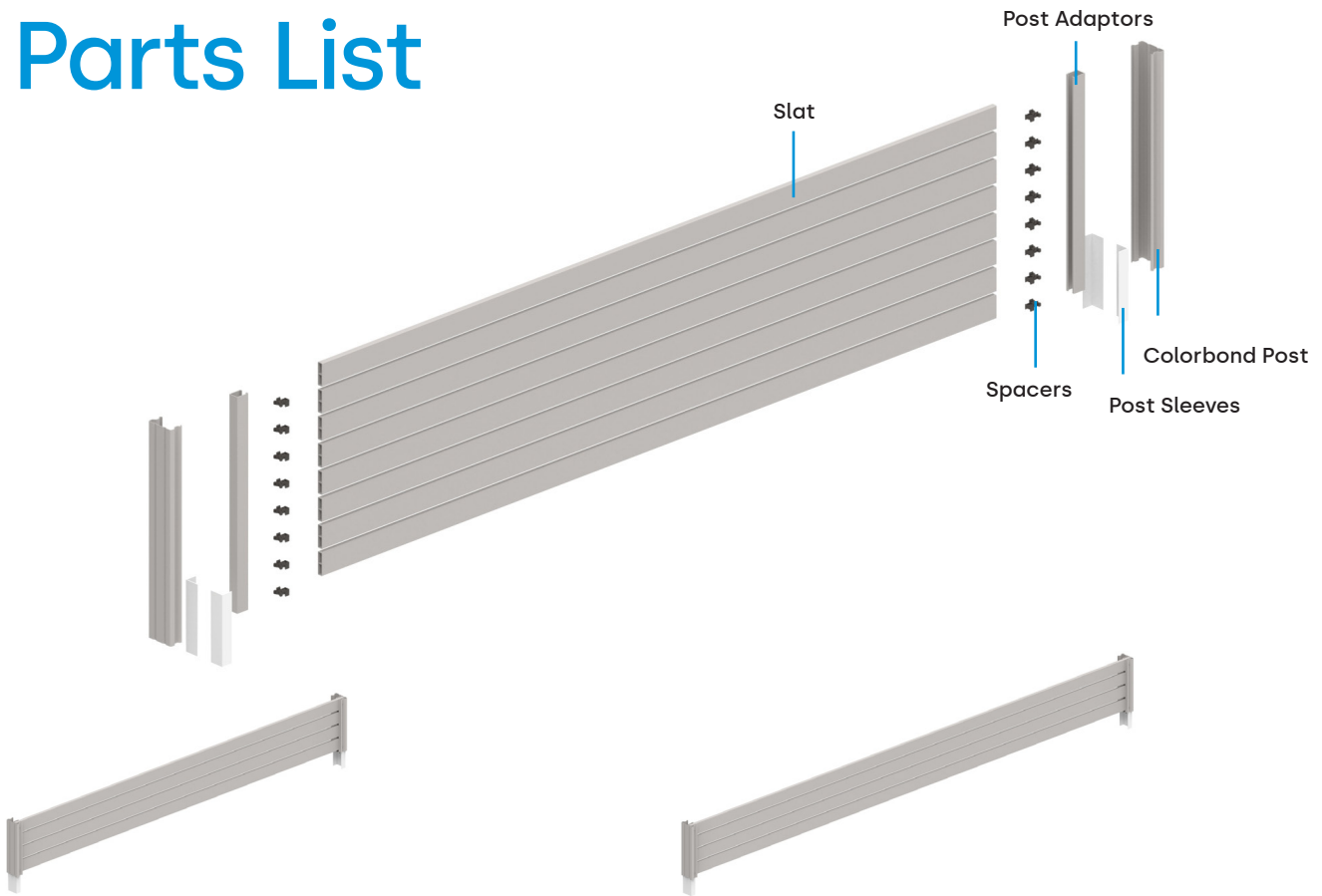
Our fence extensions are 100% Australian made and can be simply added to your existing fence. Our fence extensions are available in a huge range of colours to perfectly compliment your current fencing. A simple, stylish, practical and elegant solution to your fencing needs. Order online now for prompt delivery Australia wide!

Features

- DIY Kit
- Privacy and Shade
- 300 & 600mm High Sections
- Custom powder coated to suit existing COLORBOND® fence

Screenline

Parts List

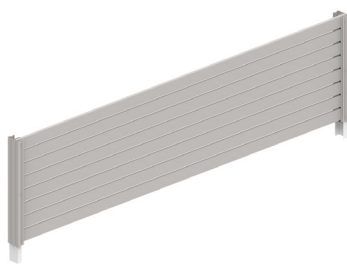


300 x 2350mm - 10mm Spacer

Component	Qty
300mm Colorbond Post	2
Post Sleeves	4
Slat - 65 x 16 x 2350mm	4
Post Adaptor	2
10mm Spacer	8

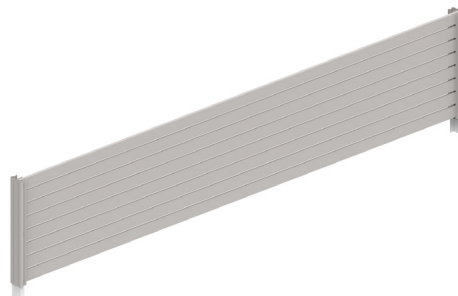
300 x 3150mm - 10mm Spacer

Component	Qty
300mm Colorbond Post	2
Post Sleeves	4
Slat - 65 x 16 x 3100mm	4
Post Adaptor	2
10mm Spacer	8



600 x 2350mm - 10mm Spacer

Component	Qty
600mm Colorbond Post	2
Post Sleeves	4
Slat - 65 x 16 x 2350mm	8
Post Adaptor	4
10mm Spacer	16

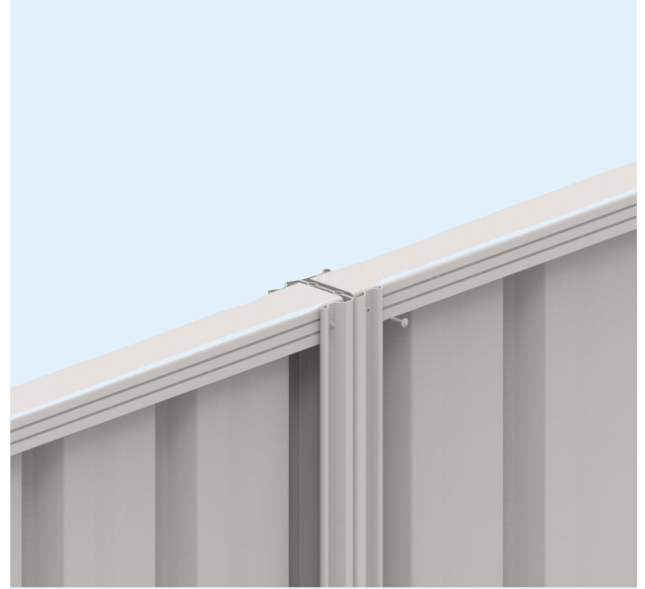


600 x 3150mm - 10mm Spacer

Component	Qty
300mm Colorbond Post	2
Post Sleeves	4
Slat - 65 x 16 x 3100mm	8
Post Adaptor	4
10mm Spacer	16

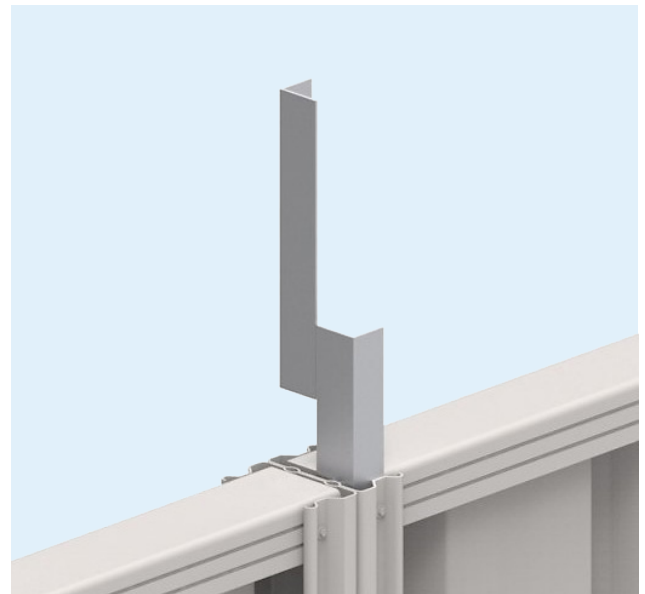
Step 1

Remove the existing tek screws from the top of the fence.



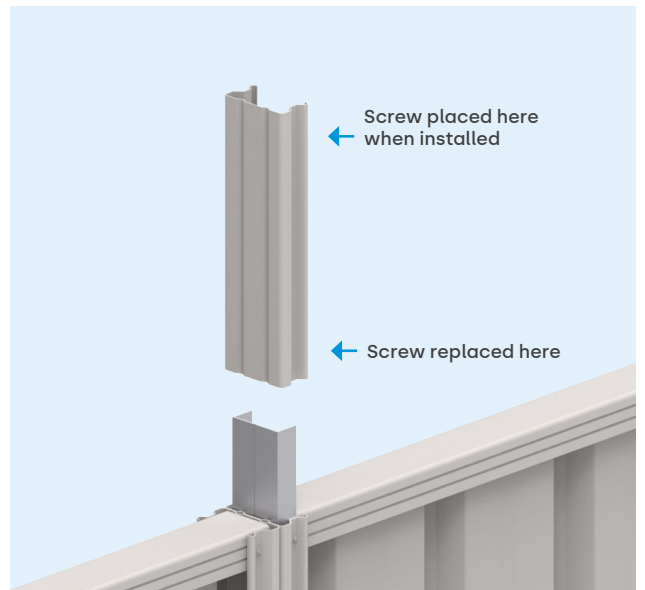
Step 2

Install the joiners to the front and back of your current fence post. Do this for both sides.



Step 3

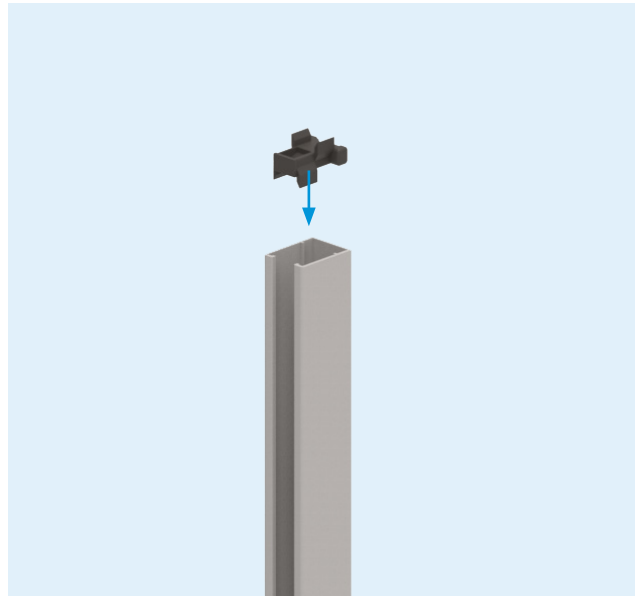
Replace the tek screw back onto the existing fence and slide on the extension post. Screw in place with tek screws. Do this for both sides.



Step 1 to 3

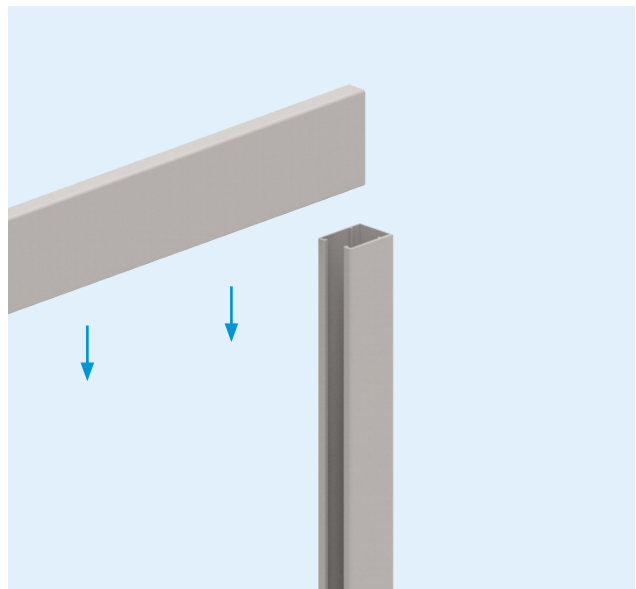
Step 4

Slide a spacer down the Post adaptor (repeat with both post adaptors).



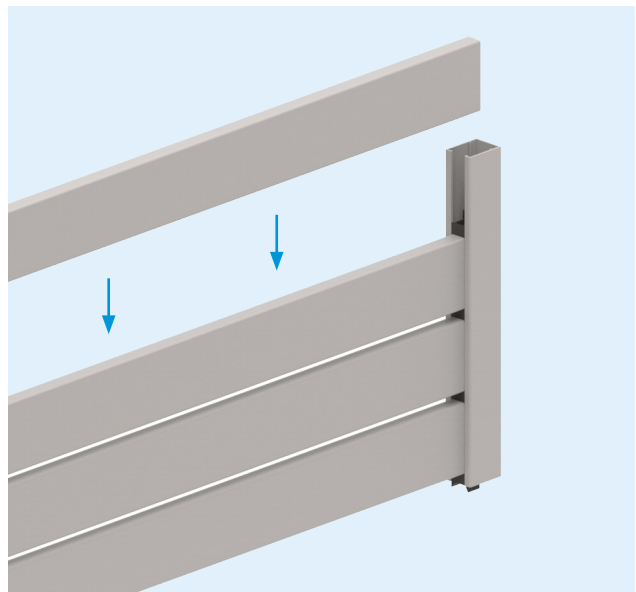
Step 5

Slide the Slat down the post adaptor (repeat with both post adaptors).



Step 6

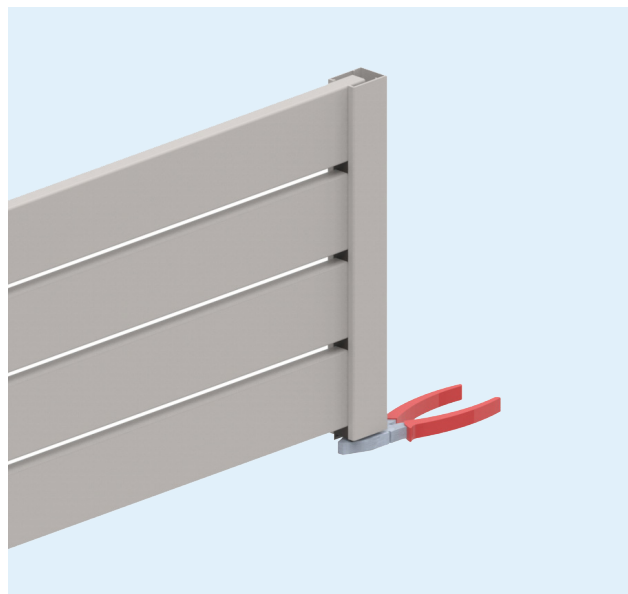
Repeat step 4 and 5 until the desired height (300mm or 600mm) has been reached.



Step 4 to 6

Step 7

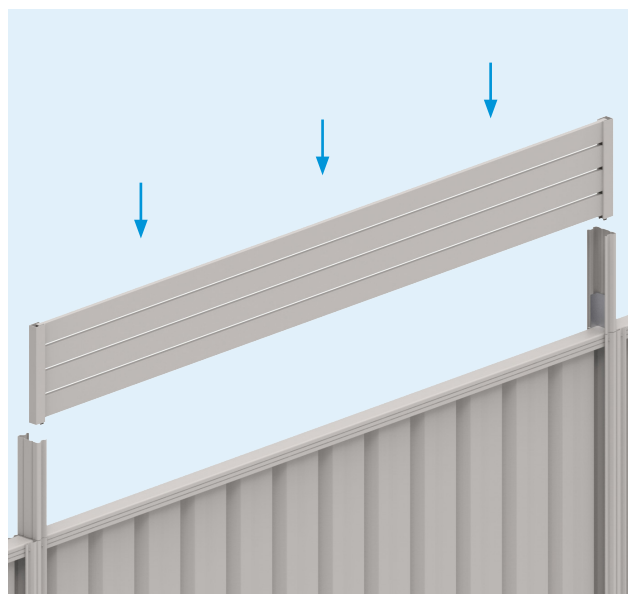
The little rubber pieces at the bottom of the fence must be removed with pliers prior to the next step.



Step 8

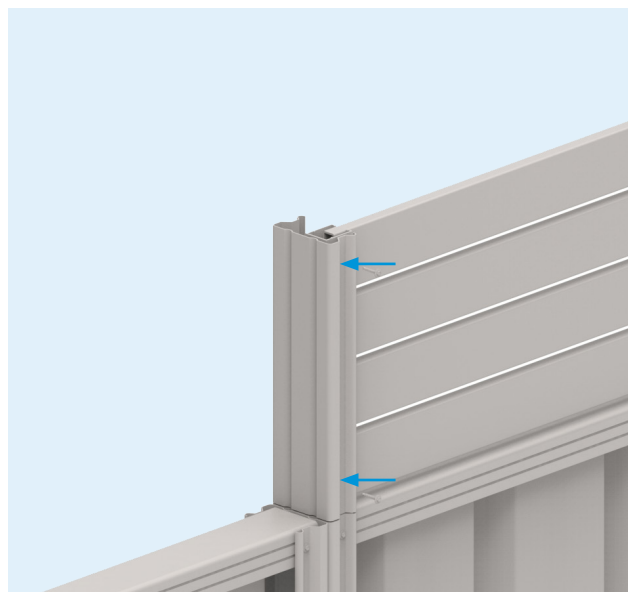
Now that the extension is built on the ground lift it above the fence and slide into the colorbond posts.

Note: Step will require a second person to assist.



Step 9

Screw through the colorbond post, post sleeve, post adaptor and slats. both top and bottom of the colorbond post.



Step 7 to 9

Disclaimer

The material within this booklet is made available for general use and information purposes only. Users should use their own skill and care with respect to the use of material. It is not provided as professional advice. Users should obtain appropriate professional advice relevant to their particular circumstances to evaluate its accuracy, currency, completeness and relevance for their purposes and specific site restraints and topography. No person should place reliance on information from the information booklet. It is the user's sole responsibility to comply with all statutory requirements and make appropriate decisions in relation to such compliance. Whilst every effort has been taken to ensure the accuracy and currency of all information within the information booklet, it is not verified information and the accuracy and currency of the information cannot be guaranteed. The provider of this booklet does not warrant that the information within this information booklet can be relied on and expressly disclaims all warranties, express or implied, and does not warrant or make any representations regarding the use of any information within the information booklet. In some cases the material may incorporate or summarise views, guidelines or recommendations of third parties. The information being general in nature is unable to take into account specific site conditions or additional controls that may apply to a particular site. Note that laws and regulations may vary depending on states and territories and it is your responsibility to check and comply with such law and regulations.